

**Dimensions**

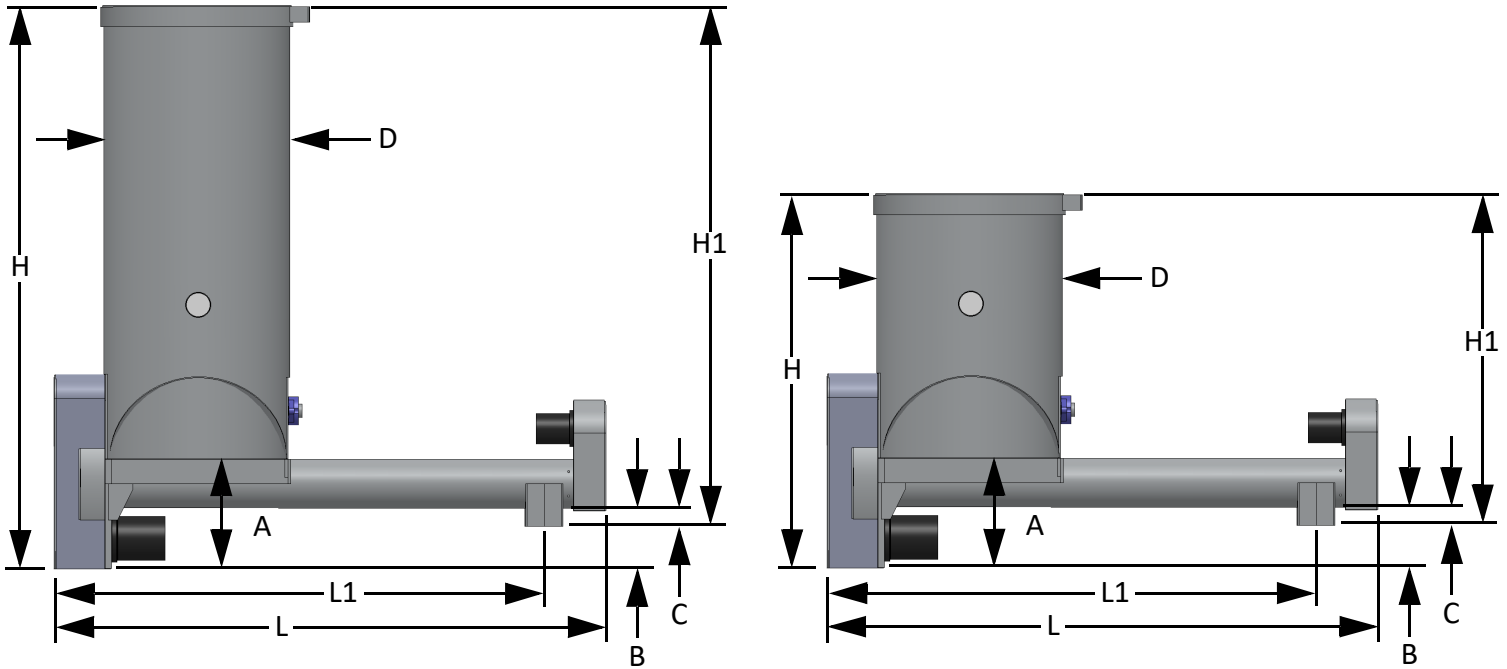


Table 1: Ranger Dimensions (refer to figure above).

	Model for: <b>FORTA</b> Surface-EXT™		Model for: <b>FORTA</b> MOBILE-MESH™	
	<b><u>RG3624</u></b> Standard Discharge Tube	<b><u>RG3636</u></b> Extended Discharge Tube	<b><u>RG2424</u></b> Standard Discharge Tube	<b><u>RG2436</u></b> Extended Discharge Tube
L, total length	31.563 in (800 mm)	40.563 in (1030 mm)	31.563 in (800 mm)	40.563 in (1030 mm)
L1, length to center of discharge chute	26 in (660 mm)	35 in (890 mm)	26 in (660 mm)	35 in (890 mm)
H, total height	45.625 in (1160 mm)		30 in (762 mm)	
H1, height to bottom of discharge chute	41.125 in (1045 mm)		25.5 in (648 mm)	
A, bottom of drum to bottom of auger cover	9 in (229 mm)		9 in (229 mm)	
B, length below discharge tube	5.5 in (140 mm)		5.5 in (140 mm)	
C, length of discharge chute	1.5 in (38 mm)		1.5 in (38 mm)	
D, diameter	15.5 in (394 mm)		15.5 in (394 mm)	